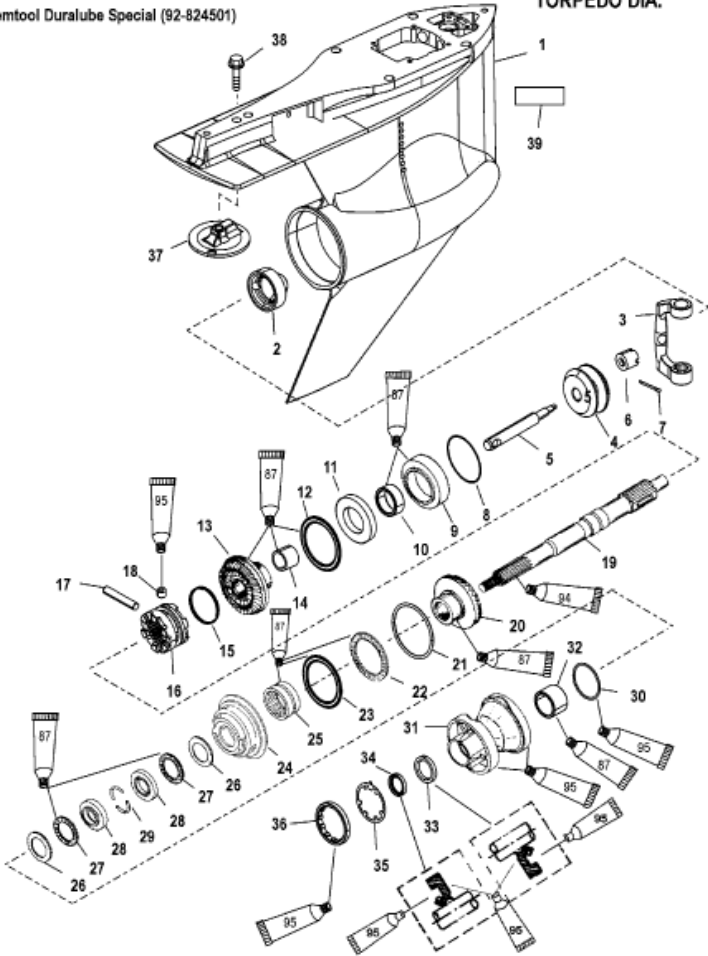


- 87 Belray 65413 Gear Oil (92-816026)
- 94 Anti-Corrosion Grease (92-78376A6)
- 95 Chemtool Duralube Special (92-824501)

4.75 IN/120.65 MM
 TORPEDO DIA.



1326

Parts List						
Ref	Class	Part	Description	Qty	Comment	Footnote
0	1623	859399T16	GEAR HOUSING (COMPLETE)	1	(X-LONG)	
0	1623	859399T17	GEAR HOUSING (COMPLETE)	1	(XX-LONG)	
1	1623	859399T18	GEAR HOUSING	1		
2	22	859403	PLUG	1		
3		823903	SHIFT CRANK	1		
4		19755T 7	SHIFT SPOOL	1		
5		NSS	SPOOL	1		
6		NSS	SLEEVE	1		
7	18	46950 1	COTTER PIN	1		
8	15	44491A 1	SHIM SET	AR		
9		828830A 2	BEARING ADAPTOR ASSEMBL'	1		
10	31	814653T	ROLLER BEARING	1		
11	12	815481	THRUST WASHER	1		
12	31	815480	THRUST BEARING	1		
13	43	828696T 2	REVERSE GEAR	1	(1.75:1 - 12/21)	
14	31	15844	ROLLER BEARING	1		
15	24	30893	SPRING	1		
16	52	859340T	SLIDING CLUTCH	1		
17	17	30632	CROSS PIN	1		
18	17	828356	DETENT PIN	1		
19	44	824111	PROPELLER SHAFT	1		
20	43	828695A 1	FORWARD GEAR	1	(1.75:1 - 12/21)	
21	23	17615 14	SPACER SHIM .206 IN.	AR		
21	23	17615 15	SPACER SHIM .208 IN.	AR		
21	23	17615 16	SPACER SHIM .210 IN.	AR		
21	23	17615 17	SPACER SHIM .212 IN.	AR		
21	23	17615 18	SPACER SHIM .214 IN.	AR		
21	23	17615 19	SPACER SHIM .216 IN.	AR		
21	23	17615 20	SPACER SHIM .218 IN.	AR		
21	23	17615 21	SPACER SHIM .220 IN.	AR		
21	23	17615 22	SPACER SHIM .222 IN.	AR		
21	23	17615 23	SPACER SHIM .224 IN.	AR		
21	23	17615 24	SPACER SHIM .226 IN.	AR		
21	23	17615 25	SPACER SHIM .228 IN.	AR		
21	23	17615 26	SPACER SHIM .230 IN.	AR		
22	31	815480	ROLLER BEARING	1		
23	12	815481	THRUST RING	1		
24		828831A 3	BEARING ADAPTOR ASSEMBL'	1		
25	31	814653T	ROLLER BEARING	1		
26	12	18448	THRUST WASHER	2		
27	31	15942	THRUST BEARING	2		